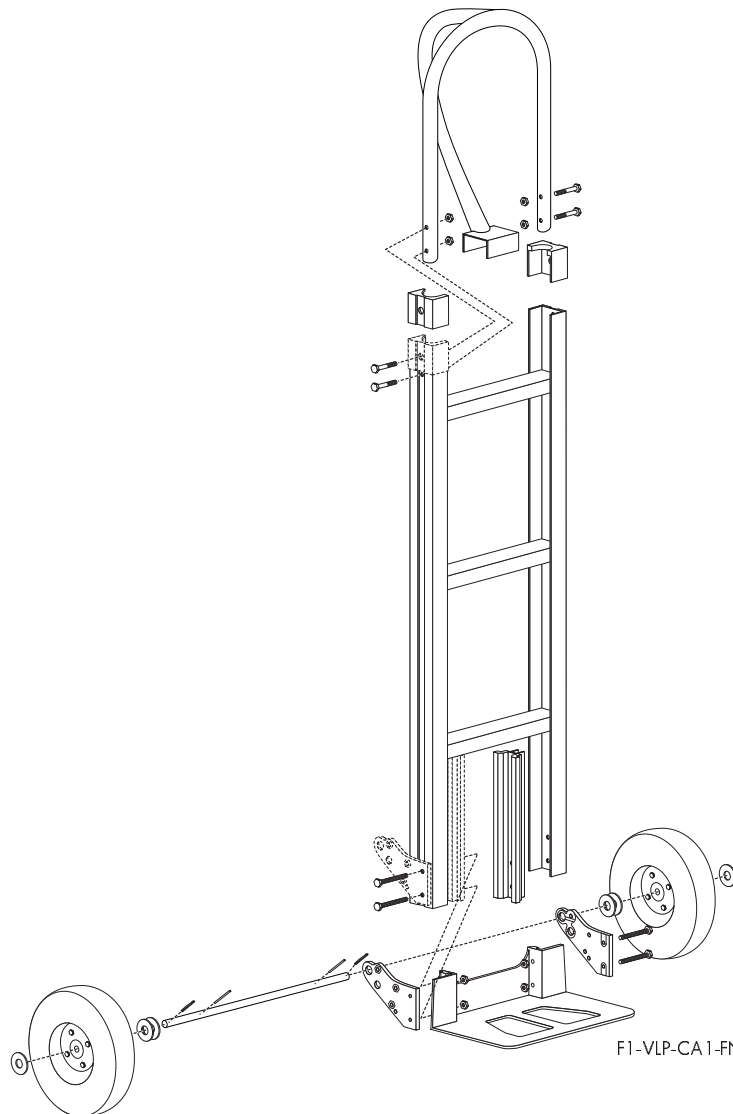




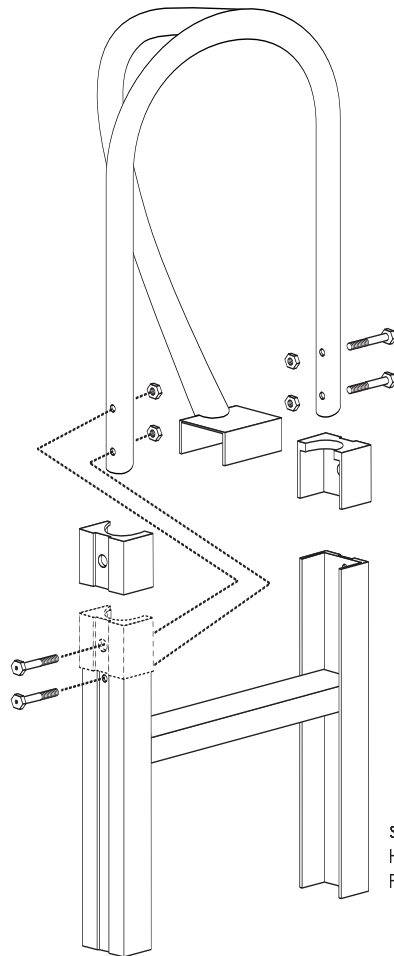
Aluminum Hand Truck Assembly Guide



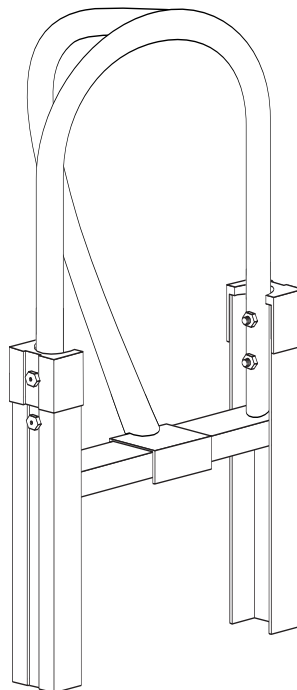
F1-VLP-CA1-FN2

FIXED HANDLES

Use 5/16" x 1-1/2" Allen Head Screw
and 5/16" Locknut



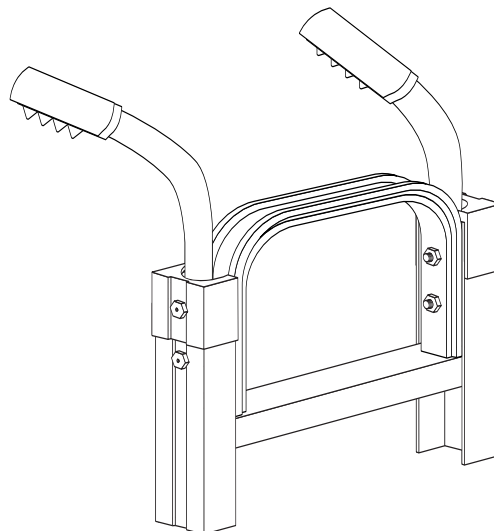
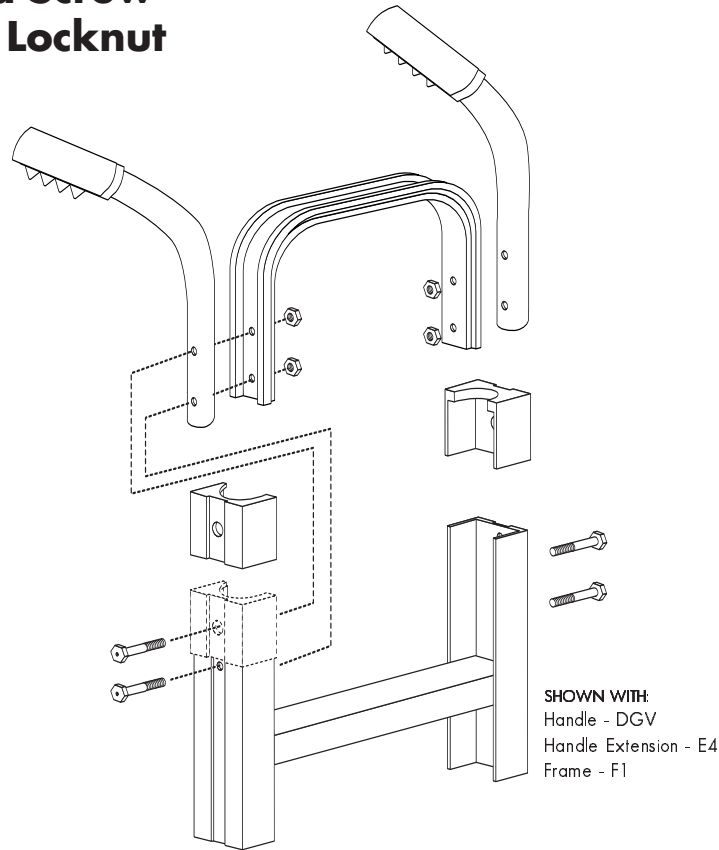
SHOWN WITH:
Handle - VLP
Frame - F1



DUAL GRIP and E4 HANDLE EXTENSION

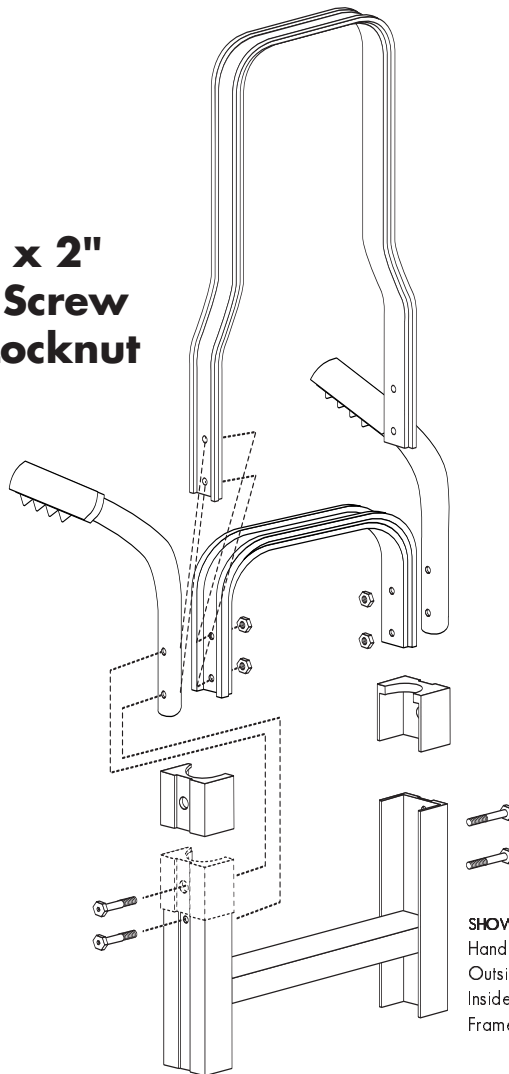
DGV comes standard with the E4 Handle Extension

Use 5/16" x 1-3/4"
Allen Head Screw
and 5/16" Locknut

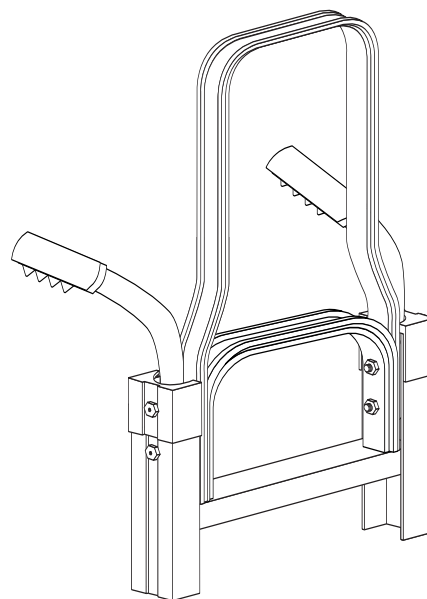


DUAL HANDLE EXTENSION

**Use 5/16" x 2"
Allen Head Screw
and 5/16" Locknut**

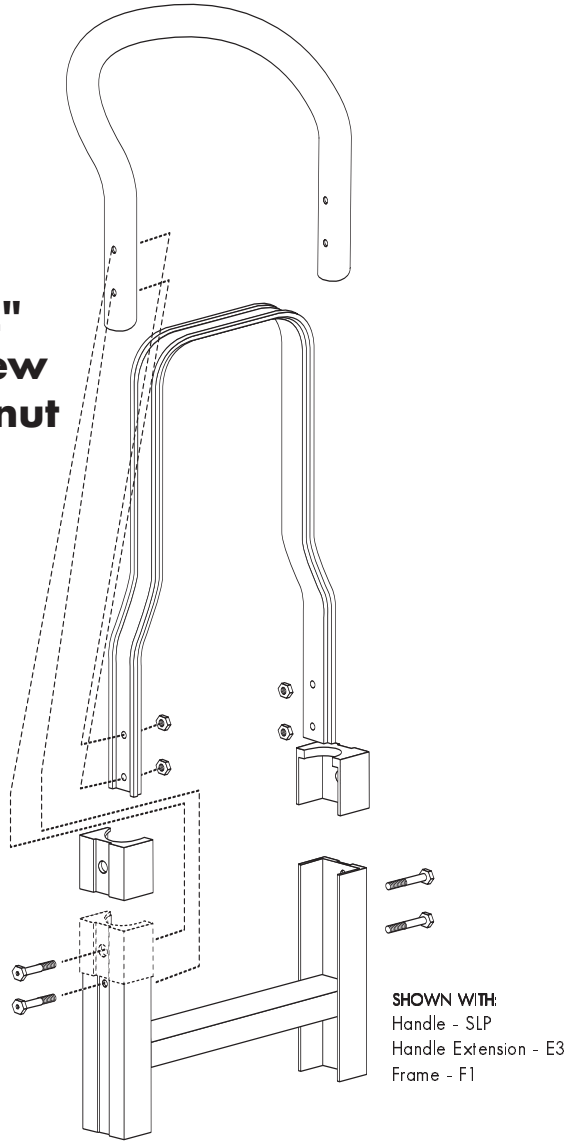


SHOWN WITH
Handle - DGV
Outside Handle Extension - E3
Inside Handle Extension - E5
Frame - F1

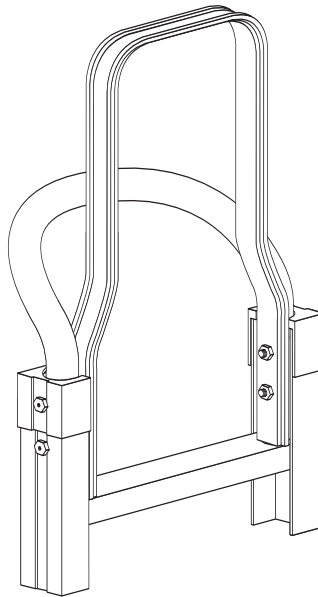


E1, E2 and E3 HANDLE EXTENSION

**Use 5/16" x 2"
Allen Head Screw
and 5/16" Locknut**

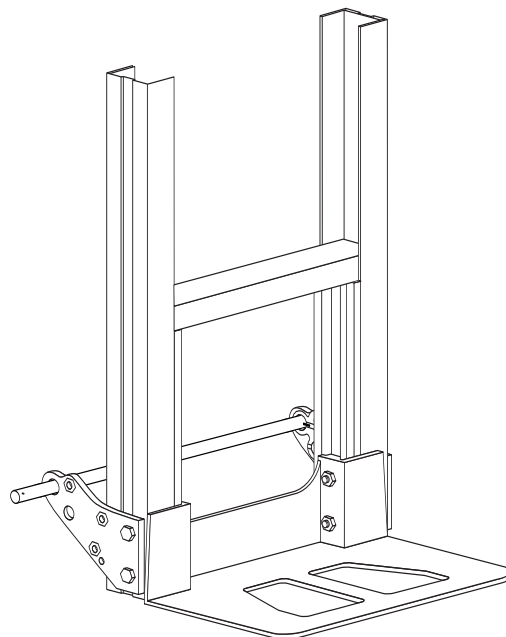
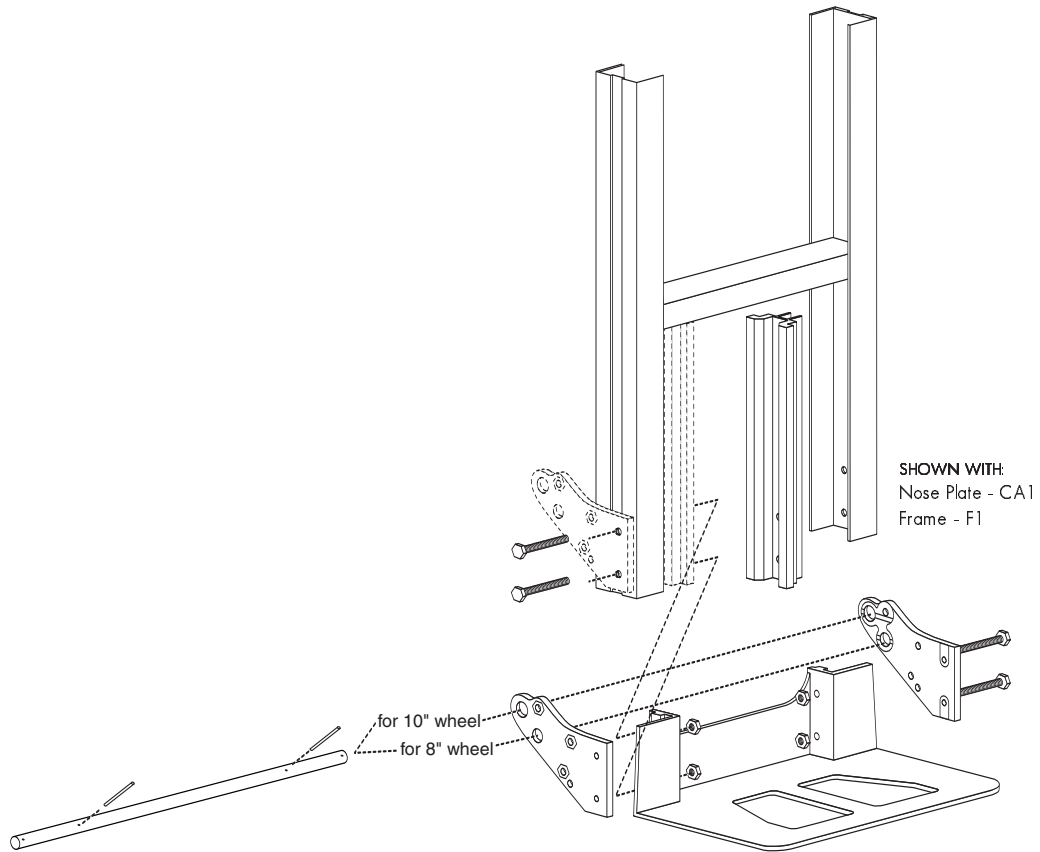


SHOWN WITH
Handle - SLP
Handle Extension - E3
Frame - F1

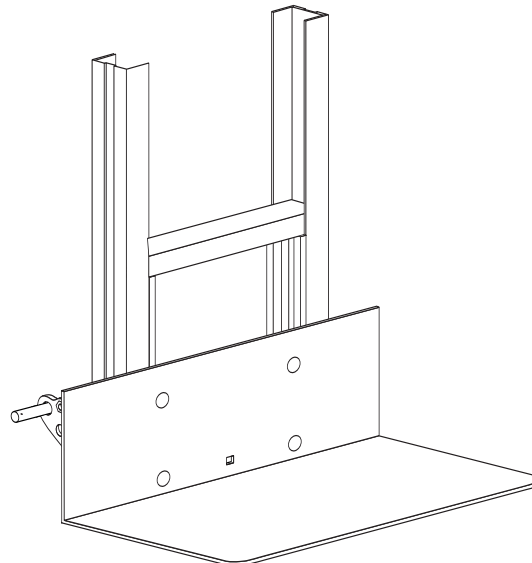
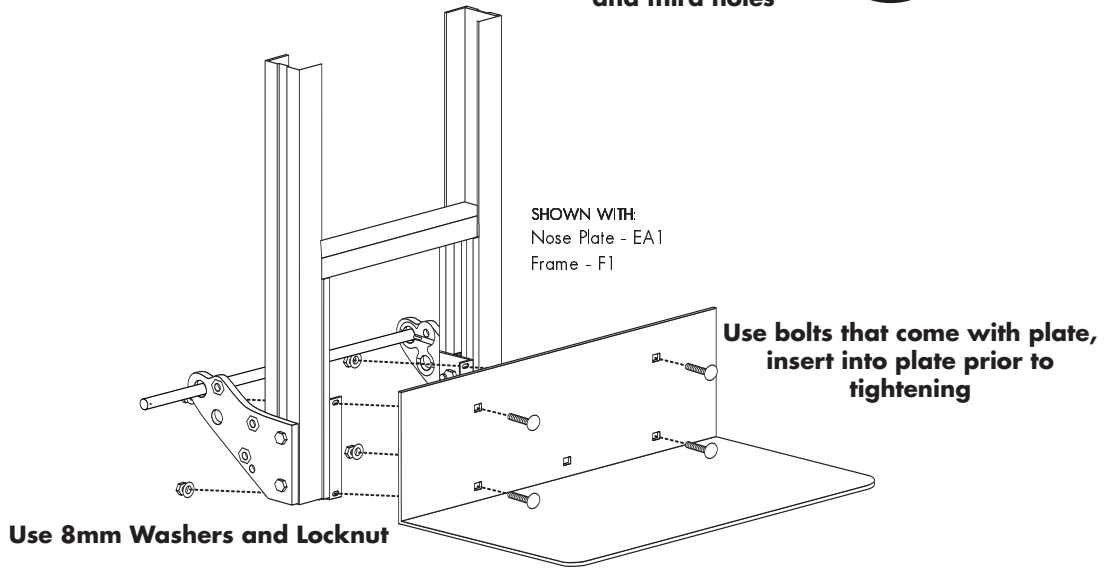
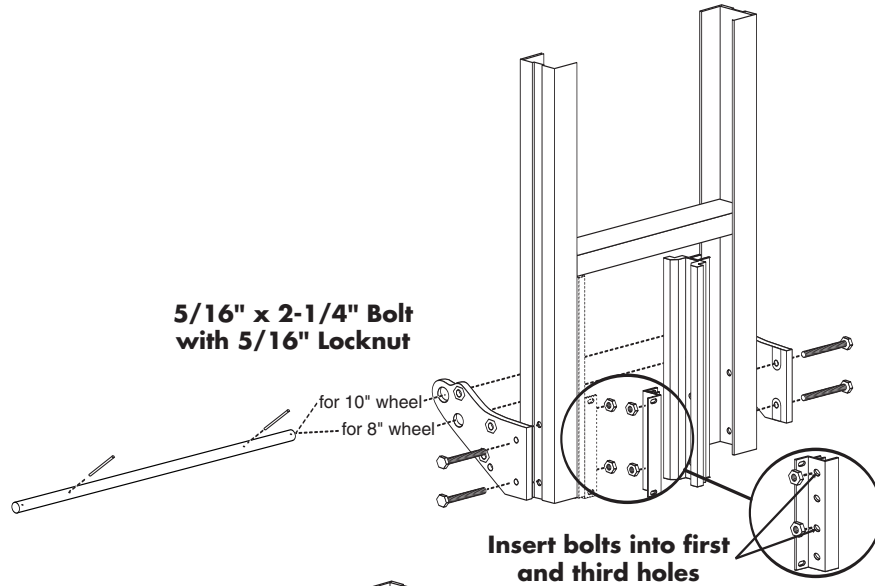


CA1 & CA2 NOSE PLATE

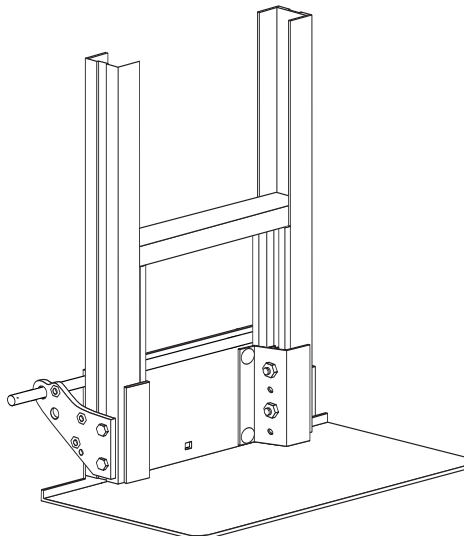
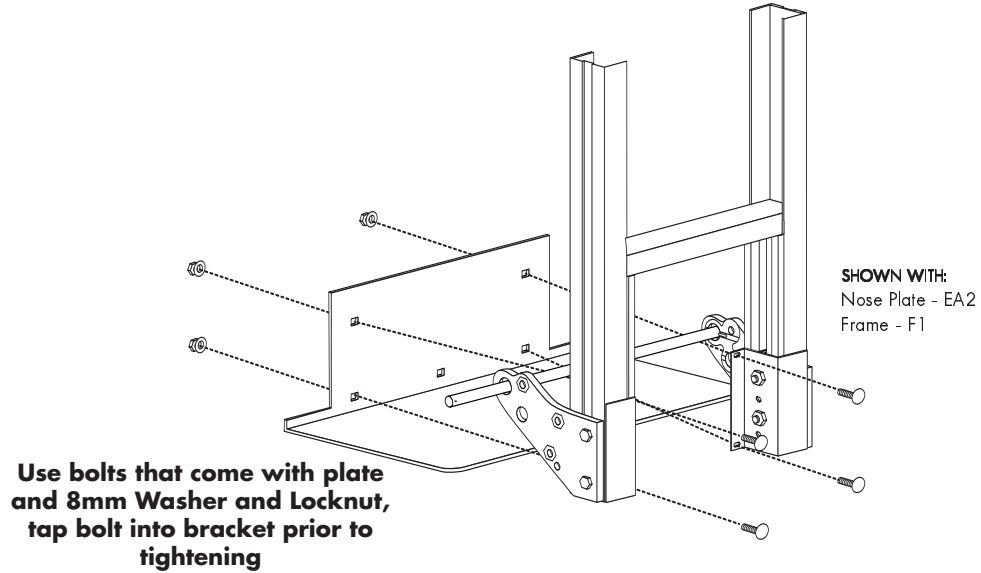
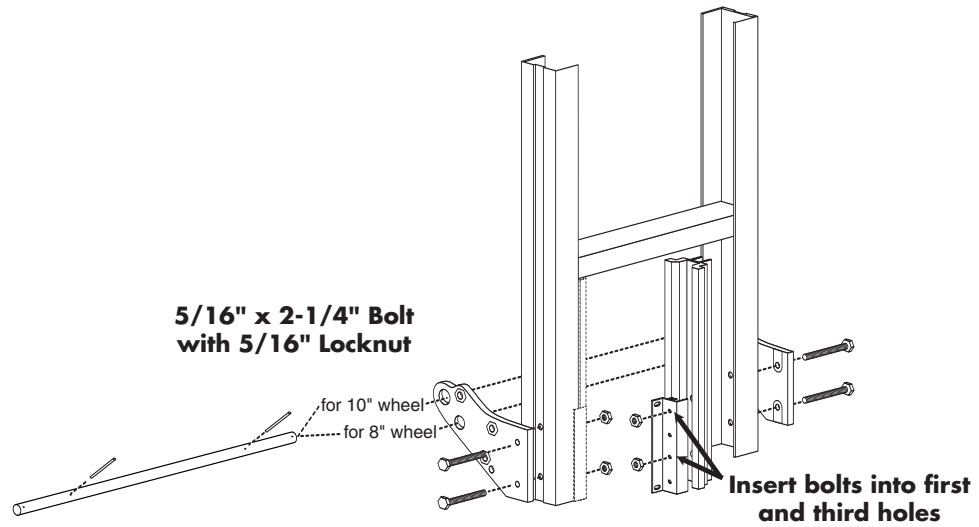
Use 5/16" x 2-1/4" Bolt
and 5/16" Locknut



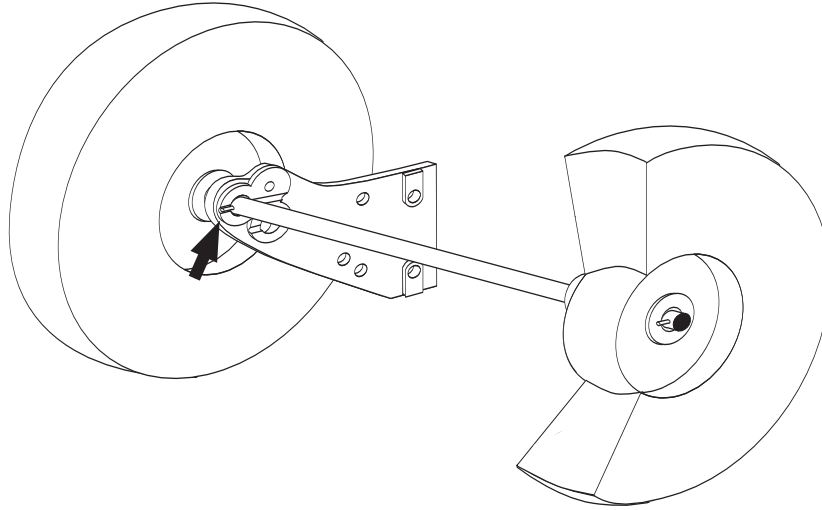
EA1 & EA3 NOSE PLATE



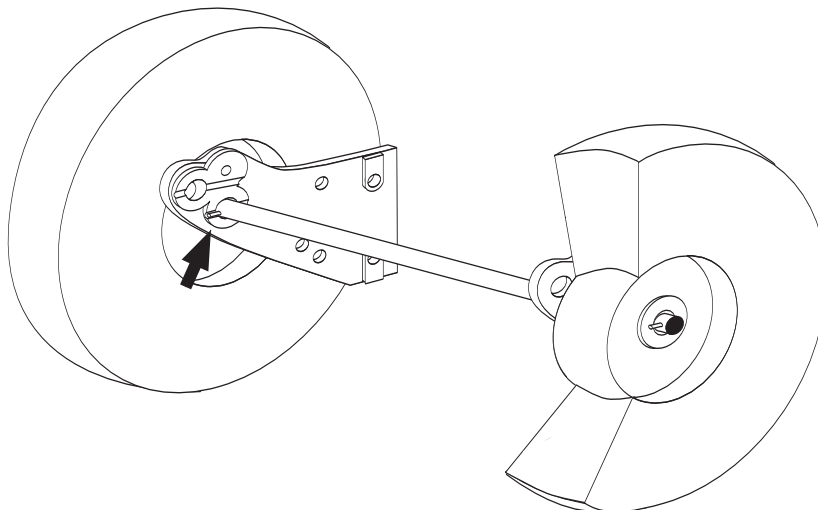
EA2 & EA4 NOSE PLATE



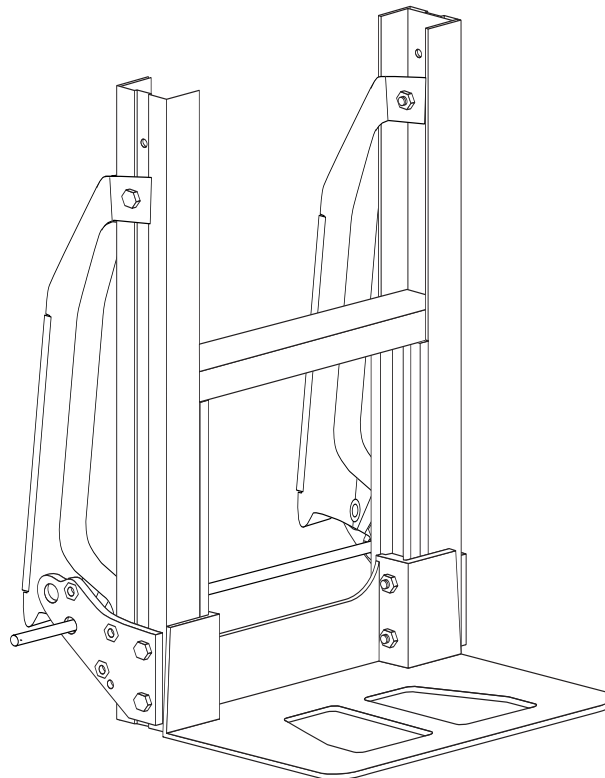
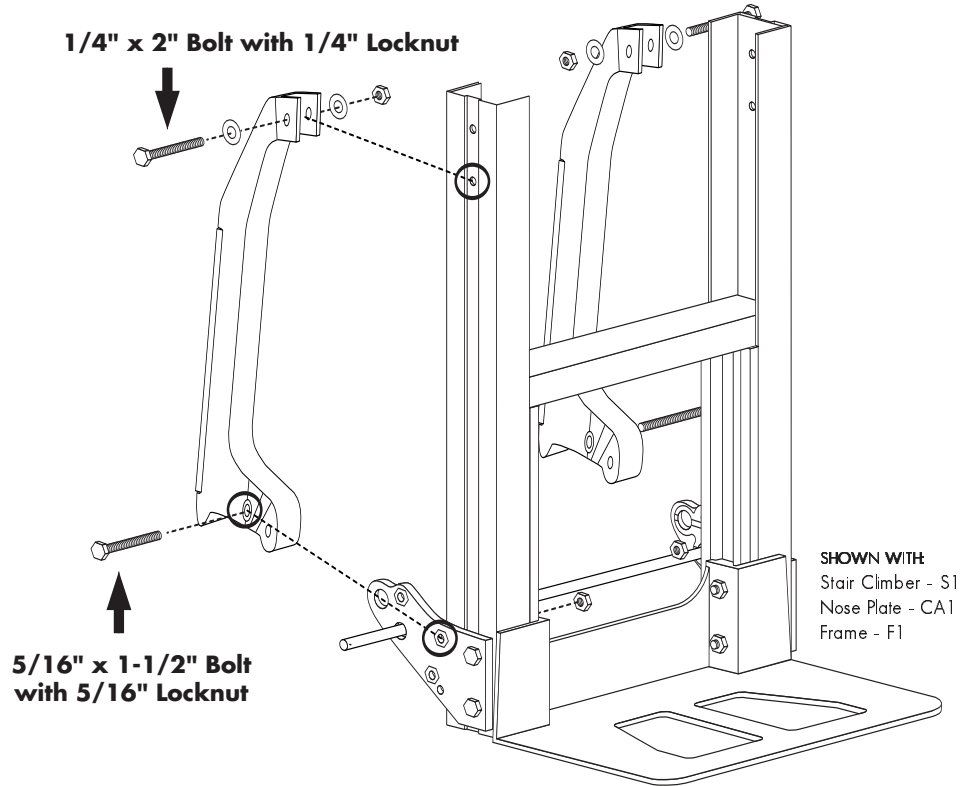
10" Wheels



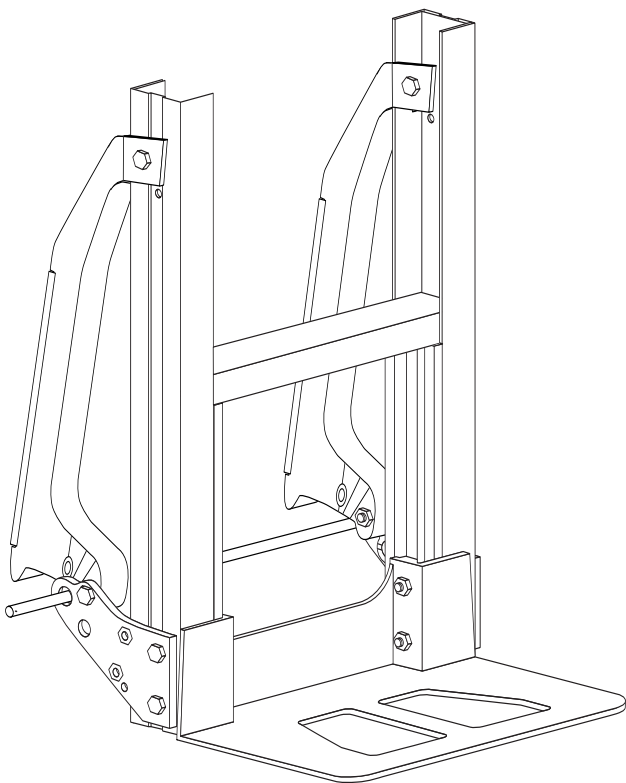
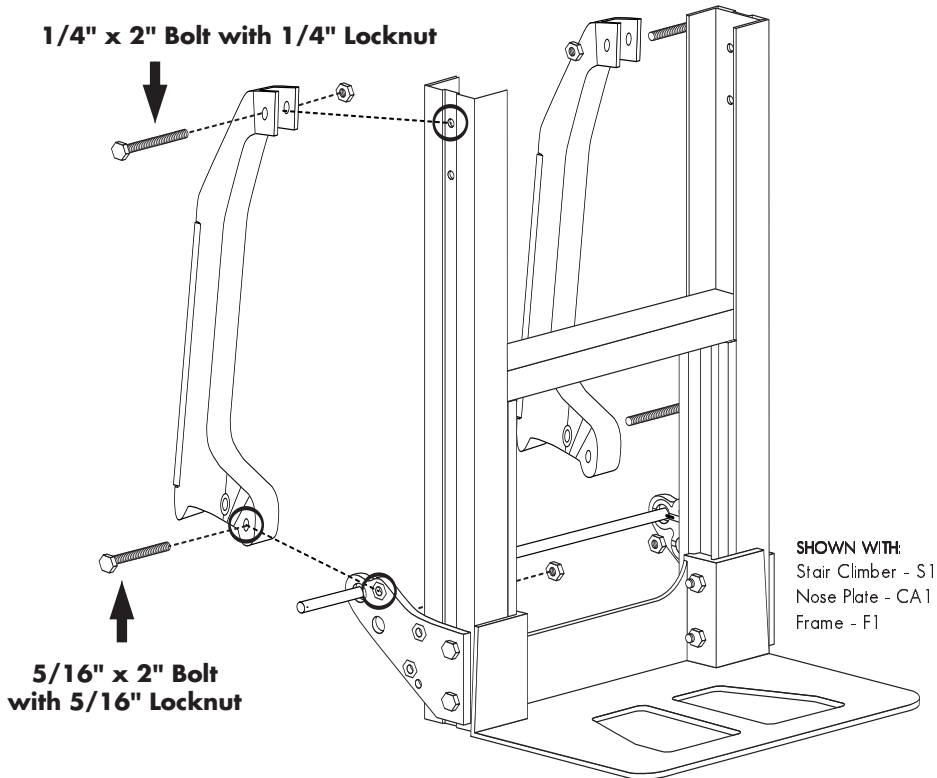
8" Wheels



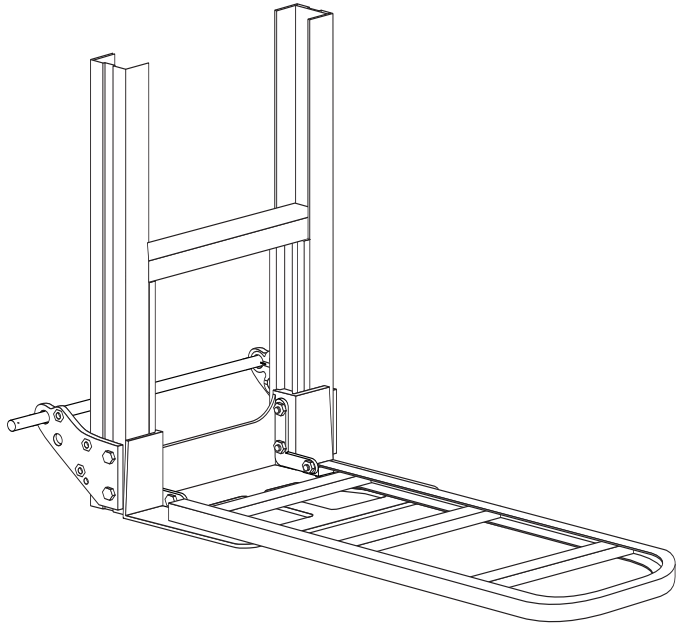
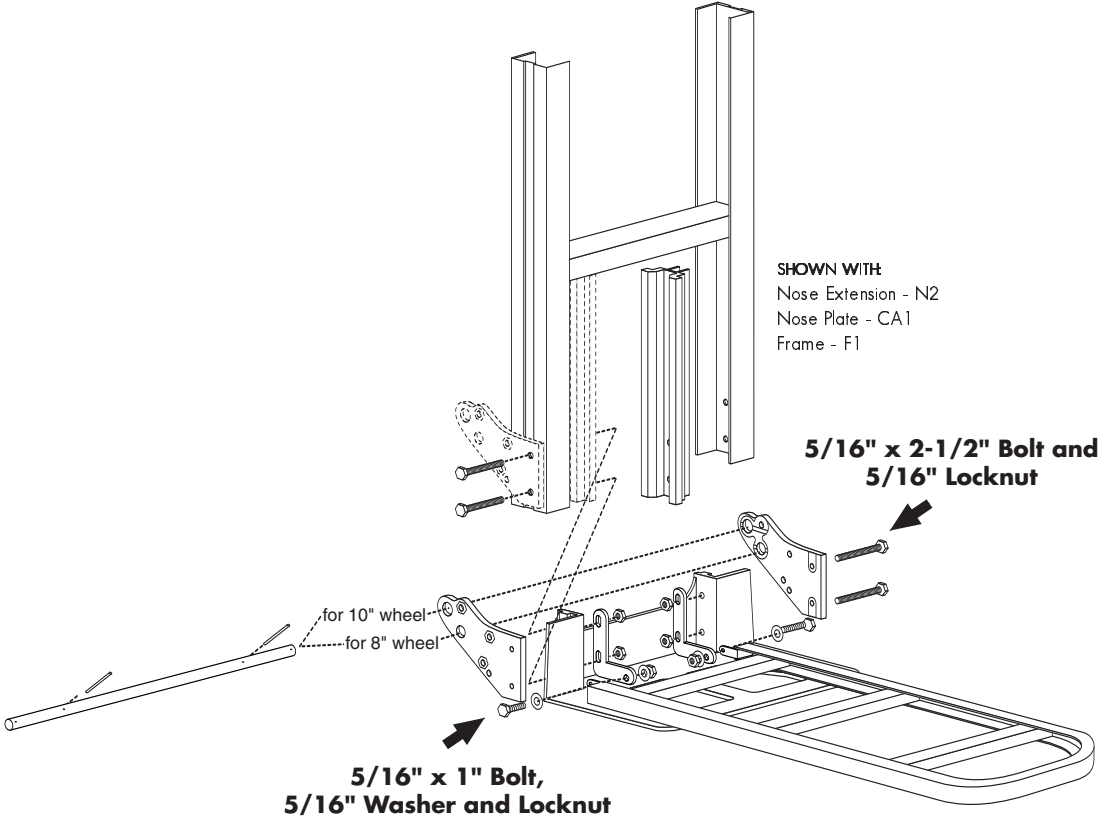
S1 STAIR CLIMBERS - 8"



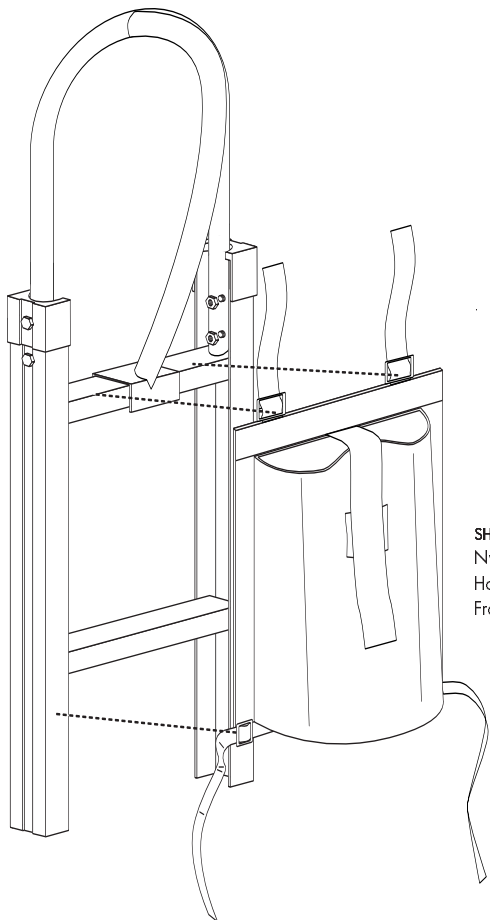
S1 STAIR CLIMBERS - 10"



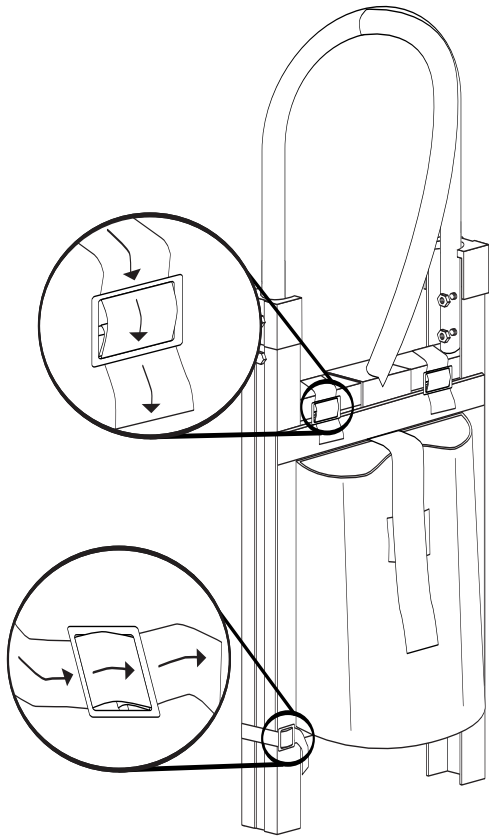
N1 and N2 NOSE EXTENSIONS



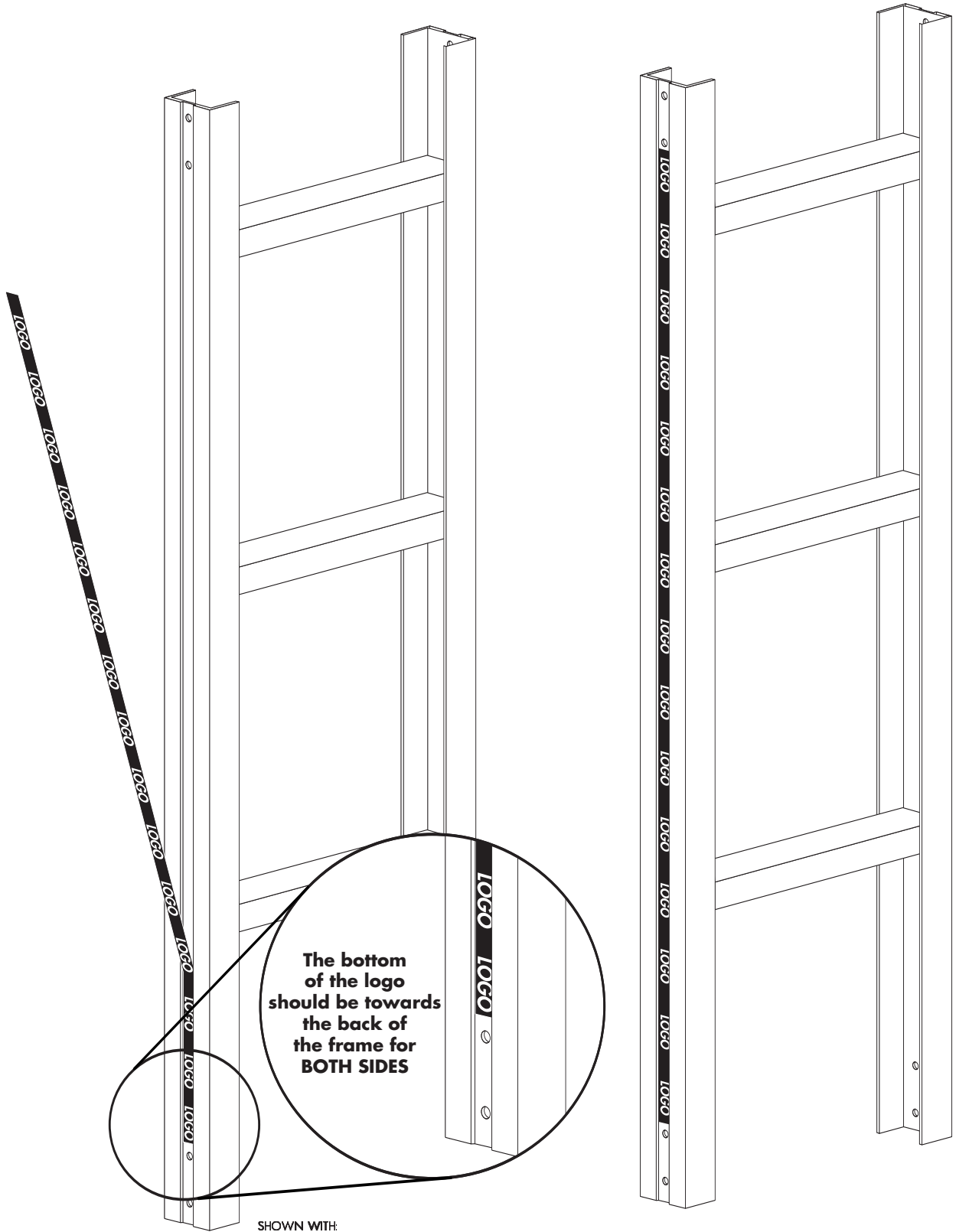
BS and BL NYLON CARRYALLS



SHOWN WITH
Nylon Carryall - BL
Handle - VLP
Frame - F1



LOGO STRIPES



SHOWN WITH:
Frame - F1